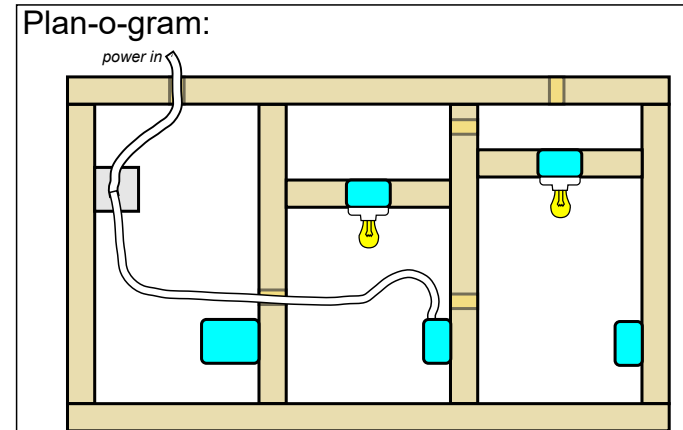
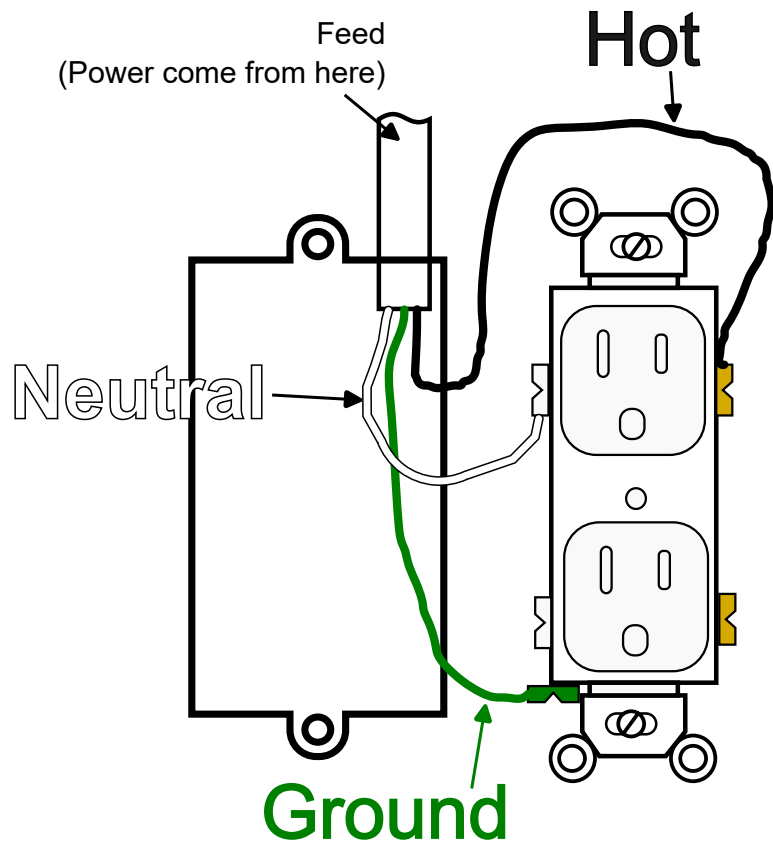
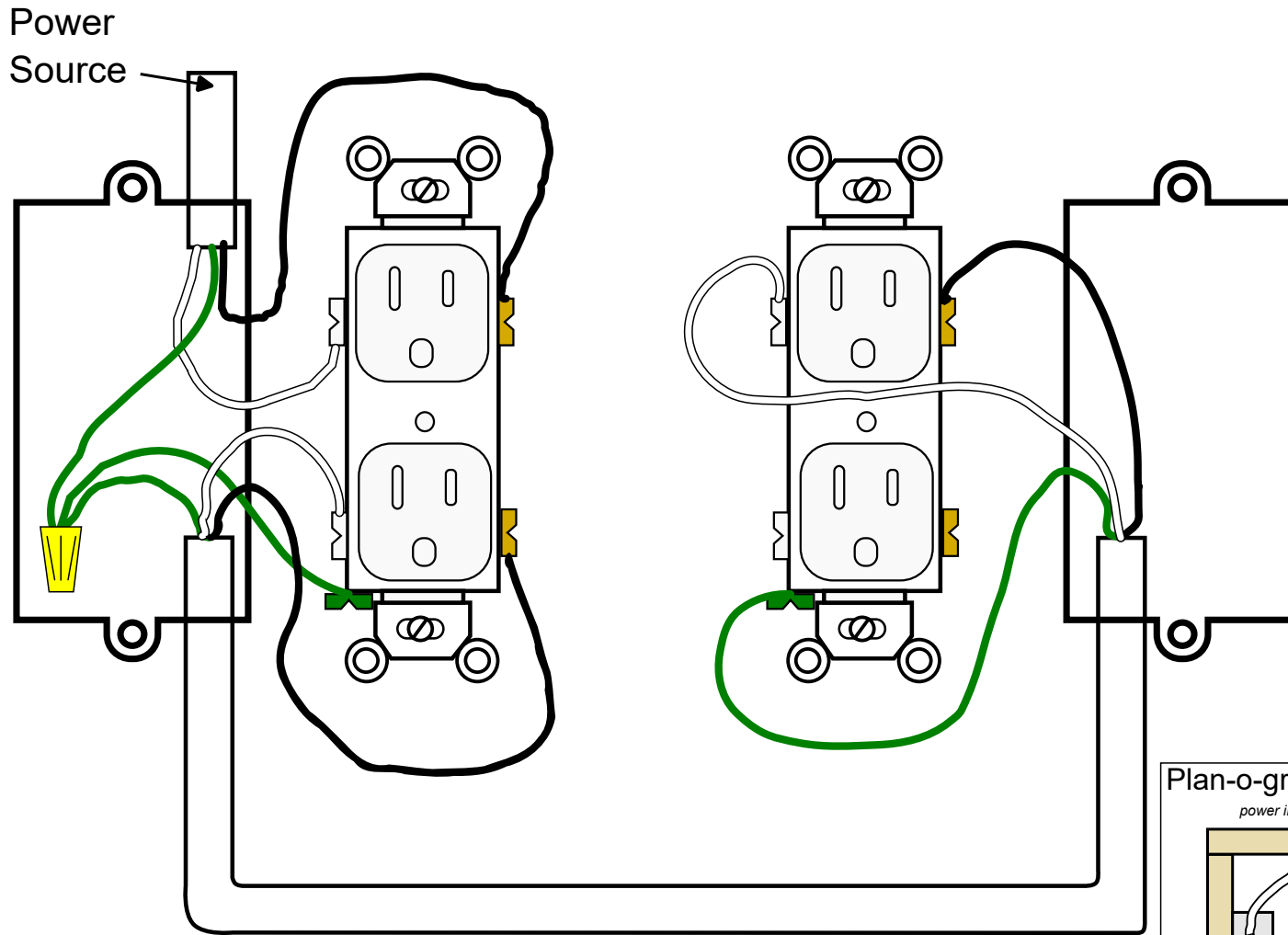


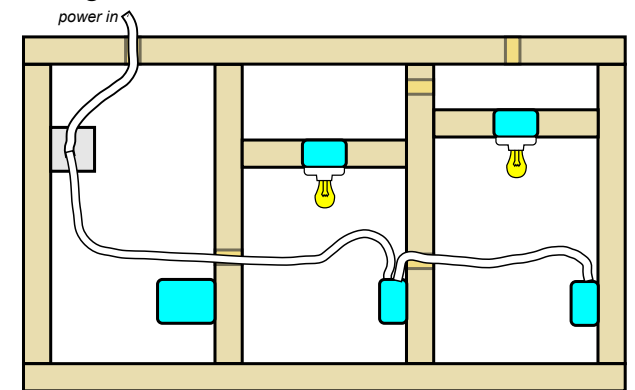
Exercise 1: Single Outlet



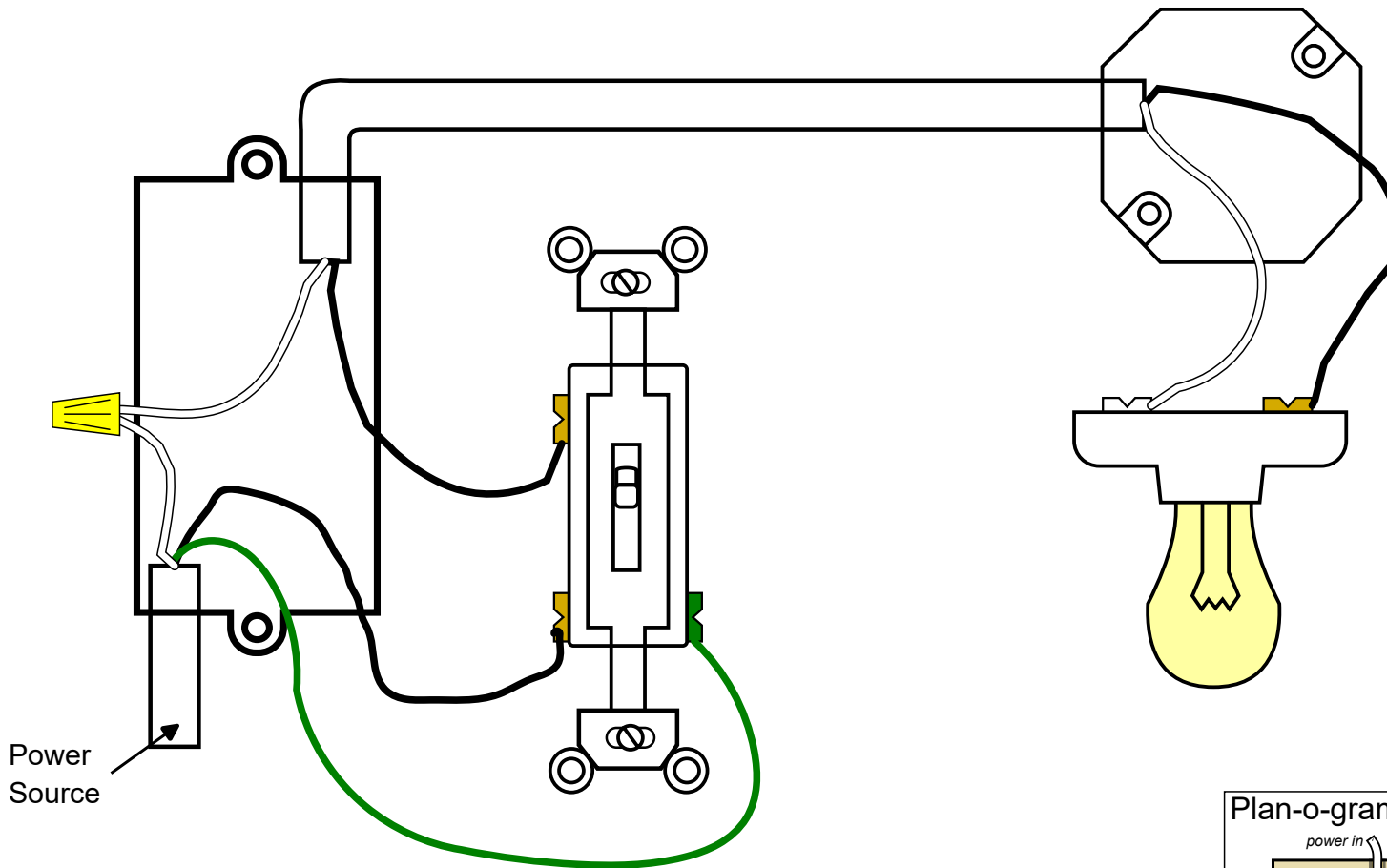
Exercise 2: Double Outlet



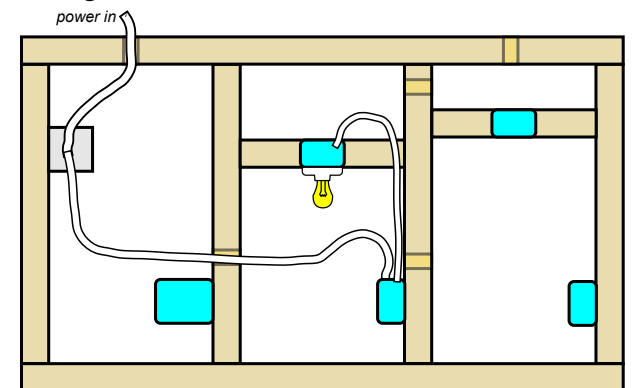
Plan-o-gram:



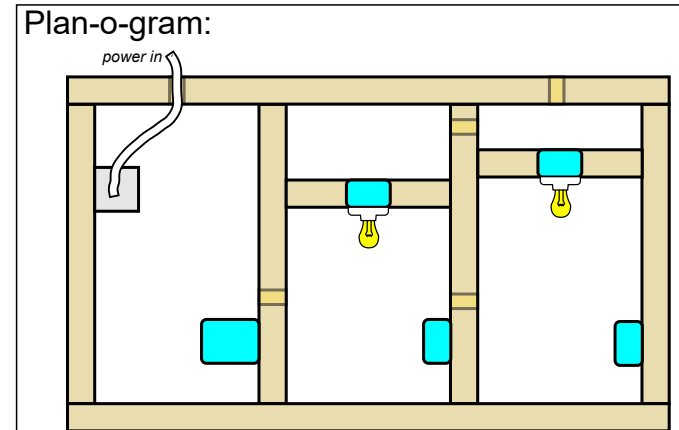
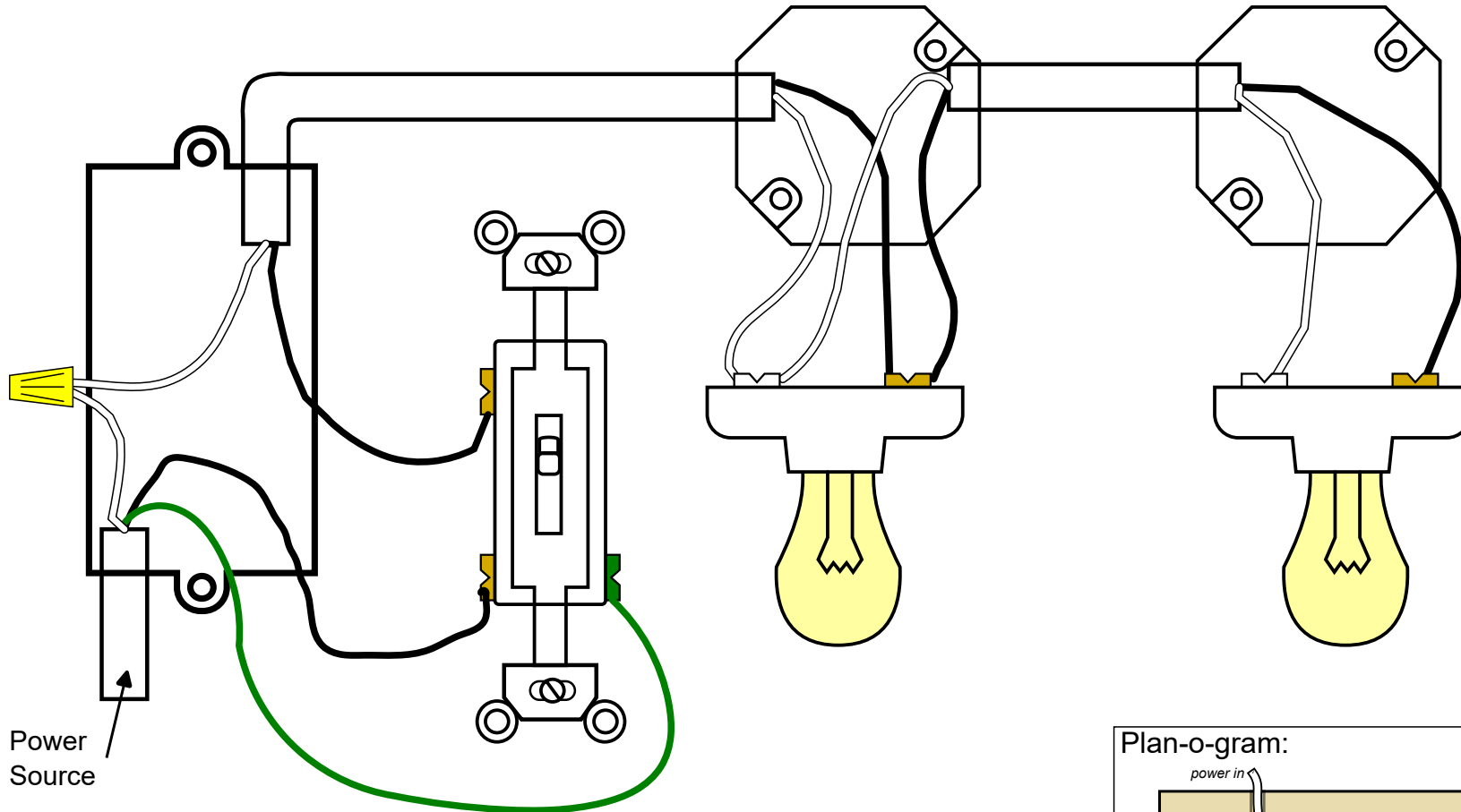
Exercise 3: Single Pole Switch Controlled Light



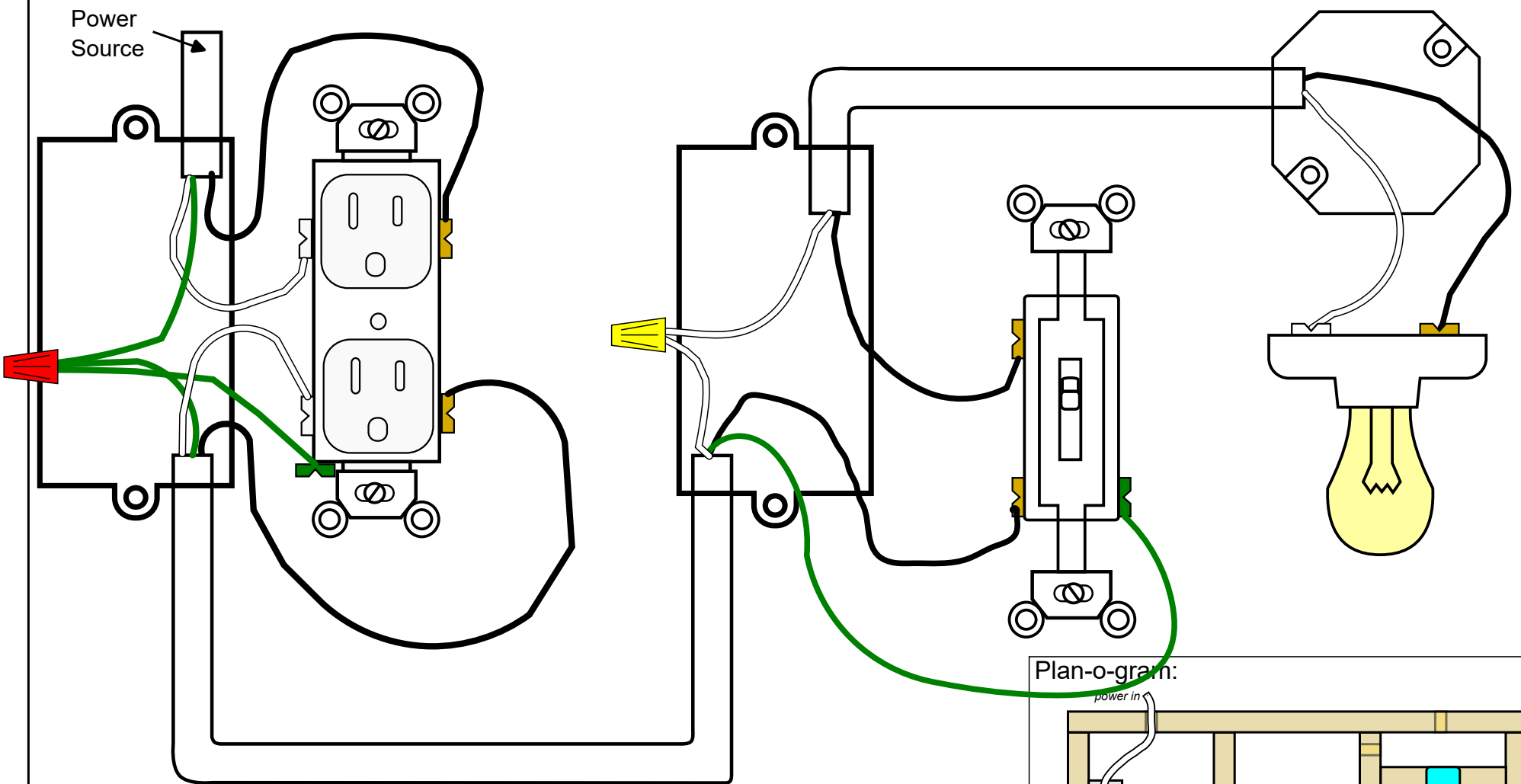
Plan-o-gram:



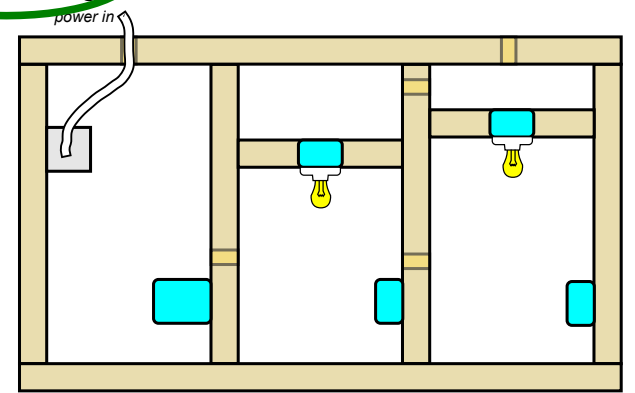
Exercise 4: Single-Pole Switch Controlled Lights



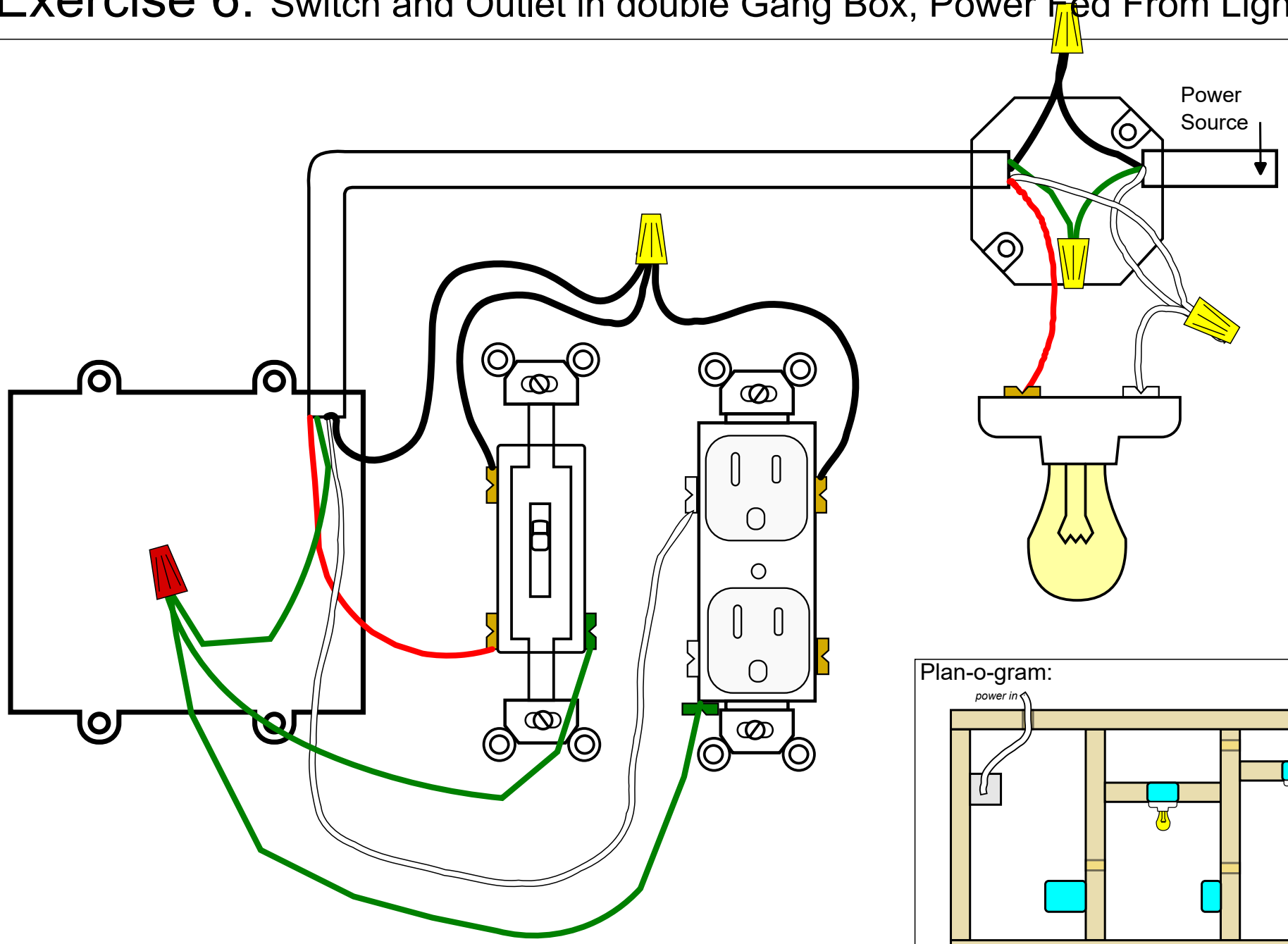
Exercise 5: Single-Pole Switch On Outlet Circuit



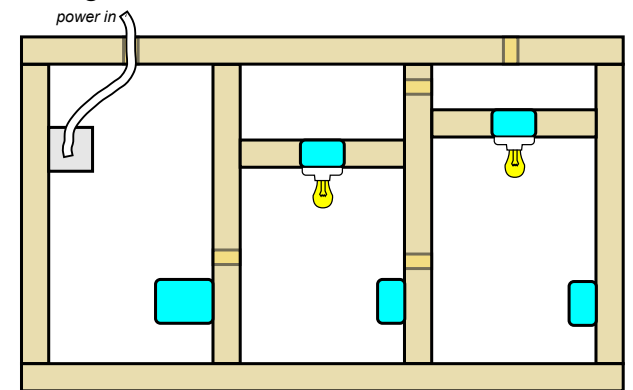
Plan-o-gram:



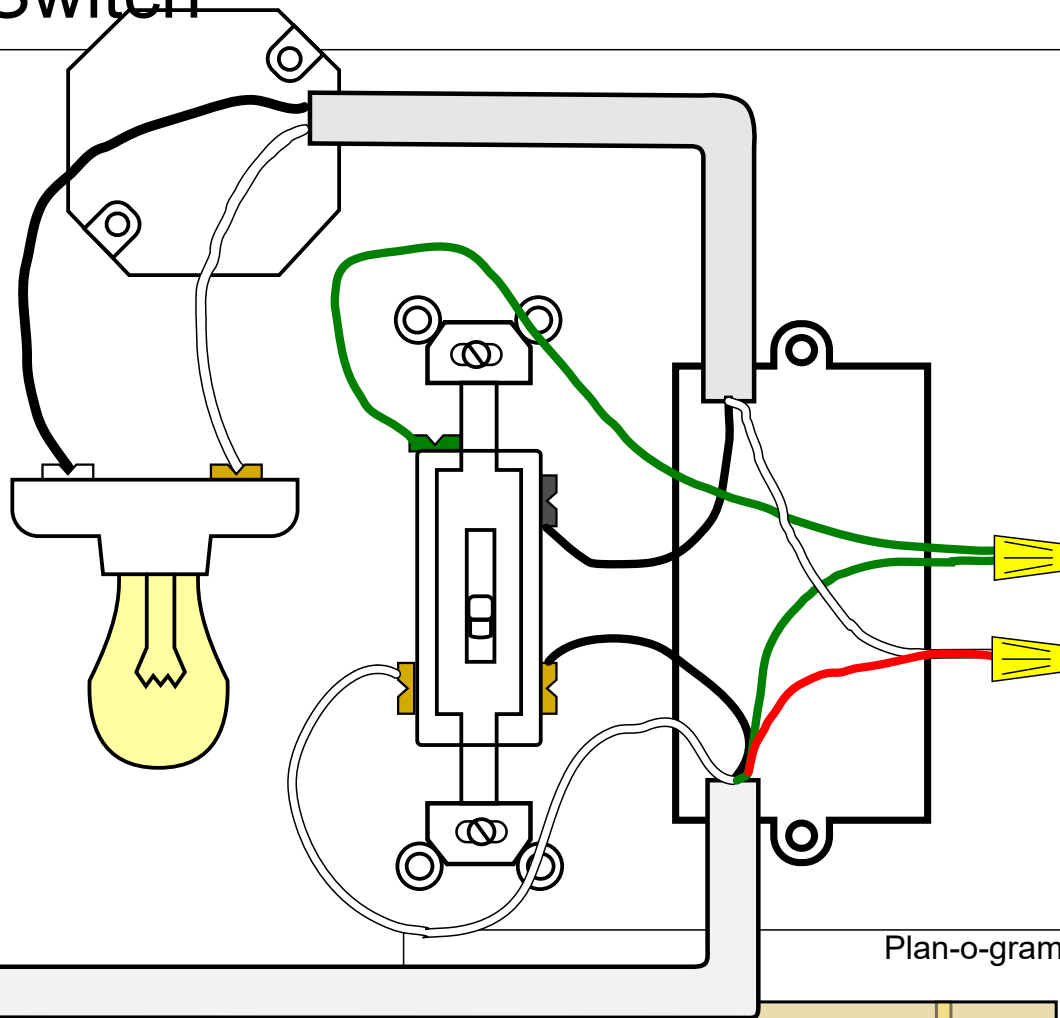
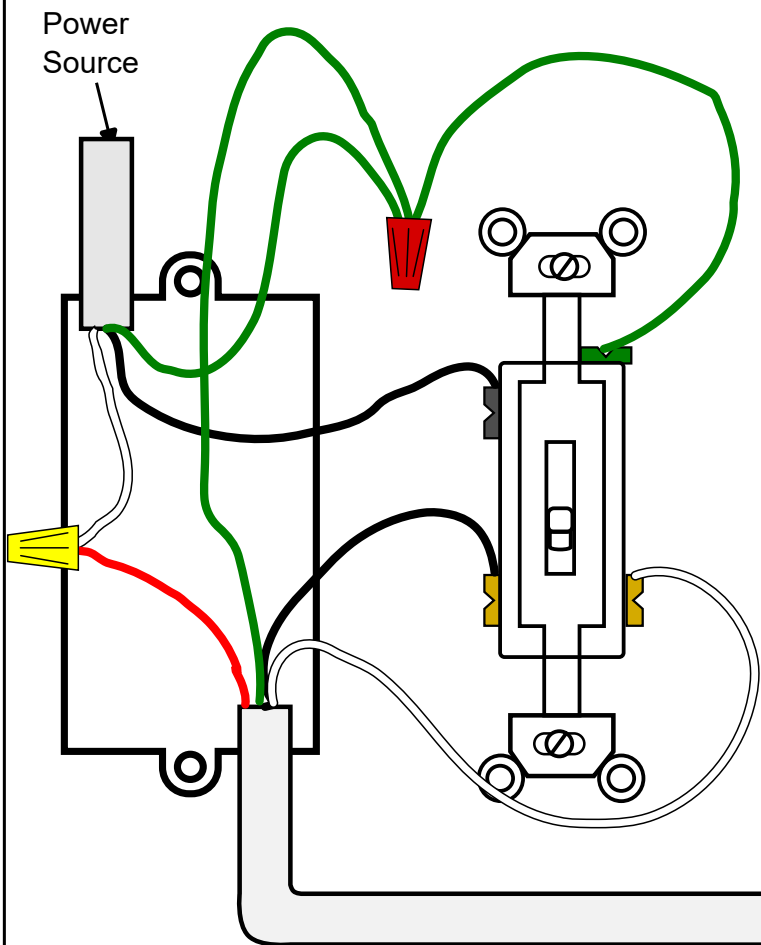
Exercise 6: Switch and Outlet in double Gang Box, Power Fed From Light



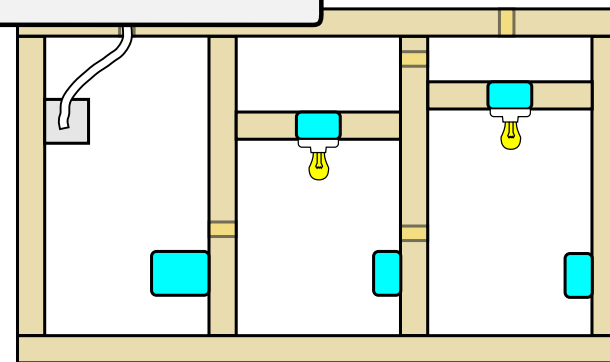
Plan-o-gram:



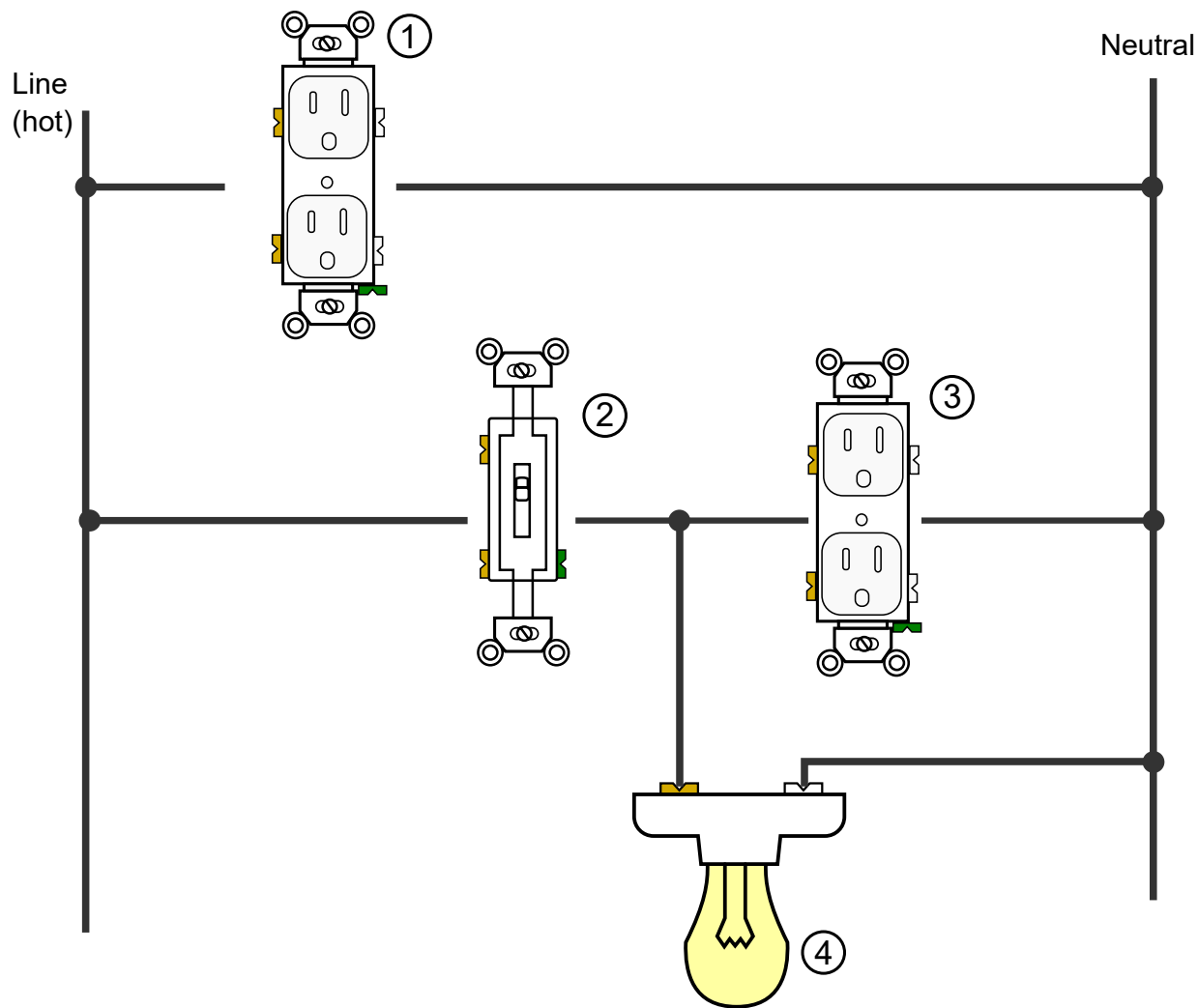
Exercise 7: Two-Way Light Switch



Plan-o-gram:



Exercise 8: Outlet and Switch-controlled Outlet with Status Light



- Notes:
- Ground all outlets and switches.
 - The light must turn on when outlet (3) energizes.
 - Follow the placements shown in the plan-o-gram.

Plan-o-gram:

